



## Round Cylinder



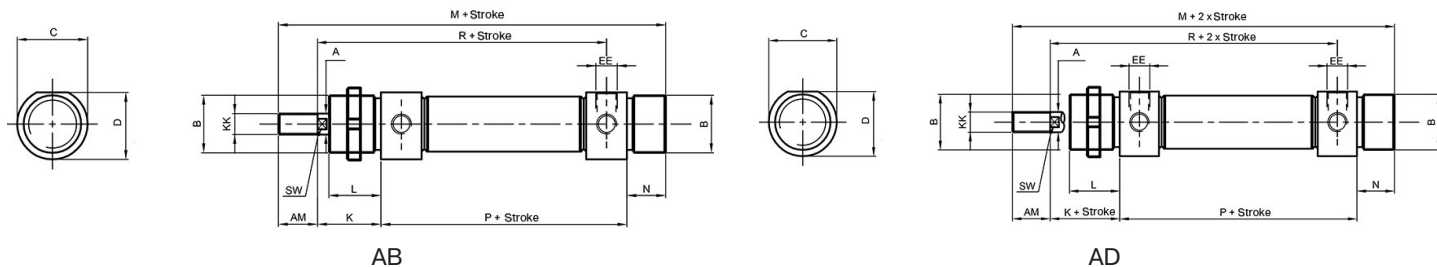
# Round Cylinder

page 24

Technical information	
Diameter	Ø32 - Ø40 - Ø50 - Ø63 mm
Stroke	10 - 25 - 50 - 80 - 100 - 125 - 160 - 200 - 250 - 320 - 400 - 500 mm
	Single acting
	Double acting
Medium	Air
Pressure range	1 ... 10 bar
Temperature range	-20°C ... +80°C
	FPM version 0°C ... +150°C
	Below 0°C air has to be dried.
Materials	
Tube	Stainless steel
Heads	Anodized aluminum
Piston	Anodized aluminum
Piston rod	Chromed steel / Stainless steel - AISI 316 (depending on type)
Guide bushing	Sintered bronze
Seals	PUR, NBR/FPM (depending on type)

A	F	K	32 /	80	Ex
			<b>DIAMETER</b>	<b>STROKE</b>	<b>OPTIONS</b>
			32	10	Ex ATEX version (available: AB,AD,AF,AH, AJ)
			40	25	
			50	50	
			63	80	
				100	
				125	
				160	
				200	
				250	
				320	
				400	
				500	
				250	
				320	
				400	
				500	
			<b>VERSION</b>		
			<b>WITHOUT</b> Standard seals, chromed steel piston rod		
			<b>R</b> Stainless steel piston rod (AISI 316) (for type AB, AD, AF and AH)		
			<b>RK</b> Stainless steel piston rod (AISI 316) - FPM Piston (for type AF and AH)		
			<b>RV</b> Stainless steel piston rod (AISI 316) - FPM seals (for type AF and AH)		
			<b>K</b> FPM Piston (for type AF and AH)		
			<b>V</b> FPM seals (for type AF and AH)		
			<b>FUNCTION</b>		
			<b>B</b> Single acting		
			<b>D</b> Single acting, spring pushes piston rod out		
			<b>F</b> Double acting		
			<b>H</b> Double acting, adjustable cushioning		
			<b>J</b> Double acting, through piston rod		

# AB/AD

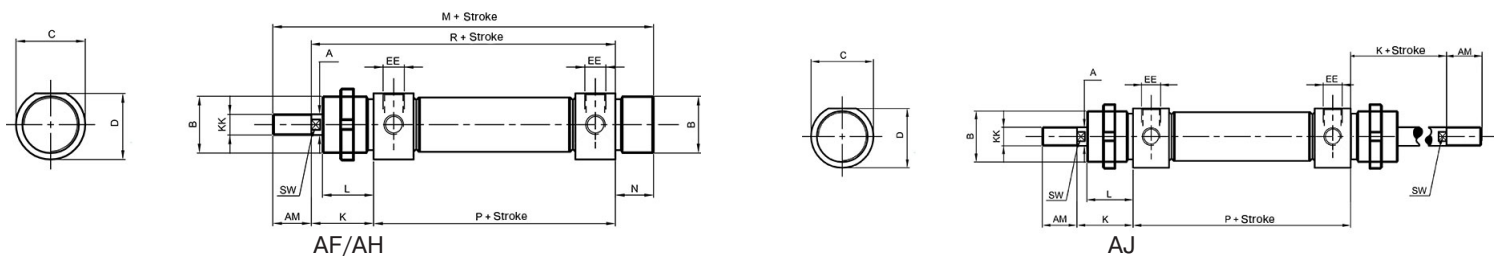


AB

AD

Ø [mm]	A	B	C	D	K	L	M	N	P	R	AM	EE	KK	SW
Ø 32	12	M30x1,5	38	36,5	38	30	168	14	96	125	20	G 1/8"	M10x1,25	10
Ø 40	16	M38x1,5	46	44	45	35	196 (198)*	16	111 (113)*	144 (146)*	24	G 1/4"	M12x1,25	12
Ø 50	20	M45x1,5	57	55	50	38	220	18	120	158	32	G 1/4"	M16x1,5	16
Ø 63	20	M45x1,5	70	67,5	50	38	224	18	124	161	32	G 3/8"	M16x1,5	16

# AF/AH/AJ



AF/AH

AJ

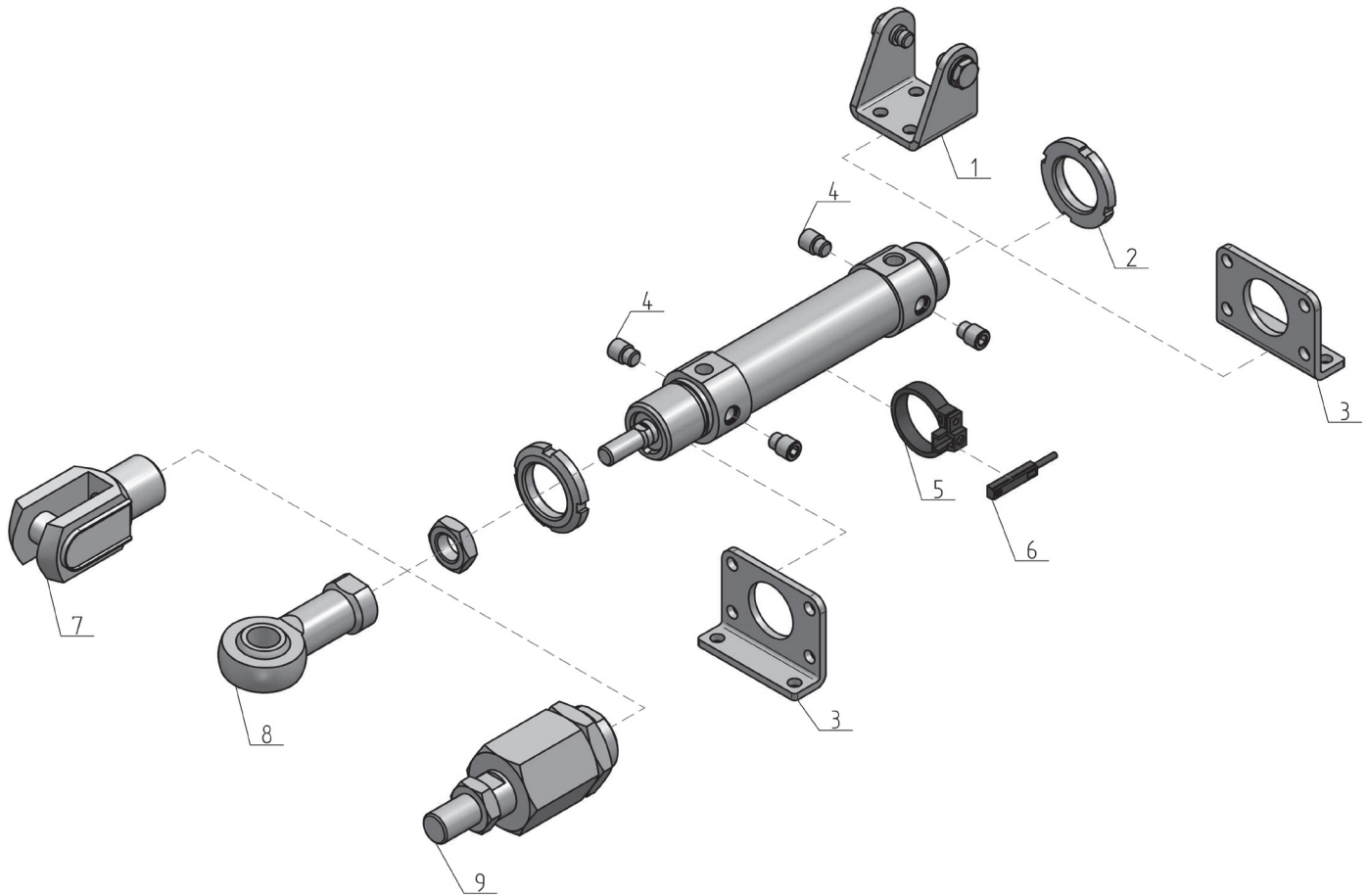
Ø [mm]	A	B	C	D	K	L	M	N	P	R	AM	EE	KK	SW
Ø 32	12	M30x1,5	38	36,5	38	30	168	14	96	125	20	G 1/8"	M10x1,25	10
Ø 40	16	M38x1,5	46	44	45	35	196 (198)*	16	111 (113)*	144 (146)*	24	G 1/4"	M12x1,25	12
Ø 50	20	M45x1,5	57	55	50	38	220	18	120	158	32	G 1/4"	M16x1,5	16
Ø 63	20	M45x1,5	70	67,5	50	38	224	18	124	161	32	G 3/8"	M16x1,5	16

\* For non-standard strokes or for cylinders type ABR, ADR, AFR, AFK, AFRK, AFV, AFRV, AHR, AHK, AHRK, AHV, AHRV



# Accessories Round Cylinder | A-Series

page 26



Part	Type	Description	Page
1	ACC	Foot flange	134
2	AGT	Slotted nut	134
3	APD	Hinge with screws	135
4	APE	Pivots	135
5	RXP	Fastener for SKR and SKH switch	145
6	SKR/SKH	REED / PNP switch	144
7	UV	Clevis with lockable pin	129
8	UK	Rod eye with internal thread	130
9	FK	Self-aligning coupling	131